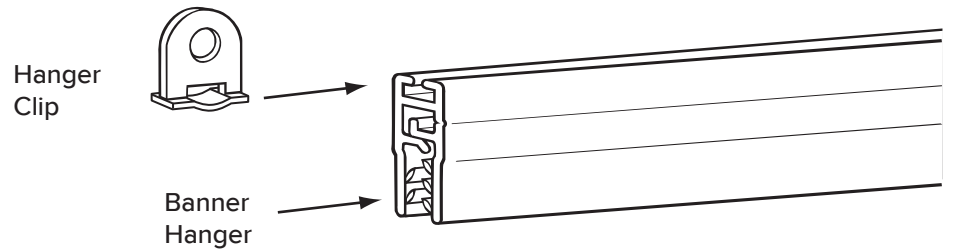
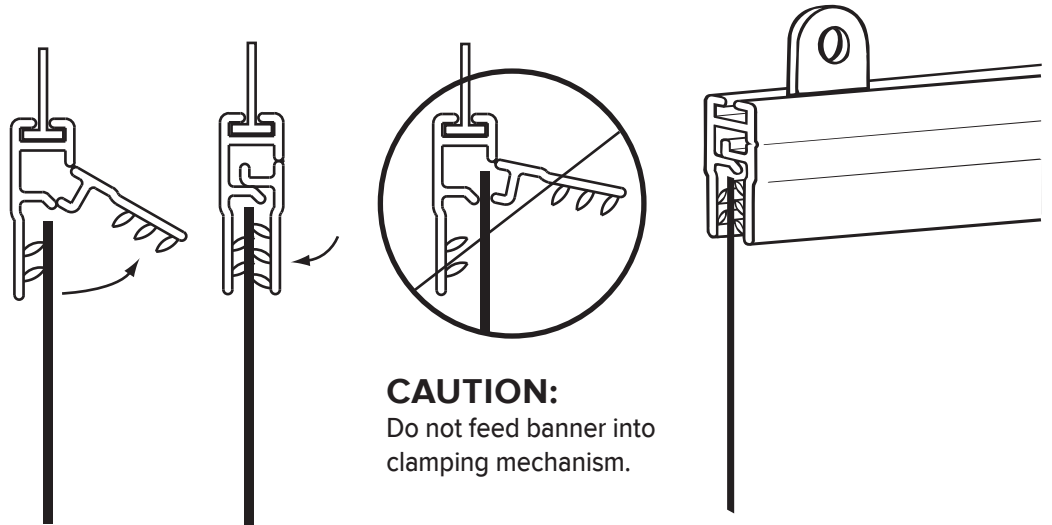


- ① Slide Hanger Clips into top track of banner hanger.



- ② Start at one end of banner hanger. Pry open hinged side. Work your way down until banner is open. Insert banner hanger, snap shut to lock banner in place.



**NOTE:** See illustration at right to determine how far to insert banner into banner hanger. Inserting banner too far into banner hanger may damage its hinge.

- ③ Use appropriate hardware to hang banner from ceiling. Installation is complete.

